

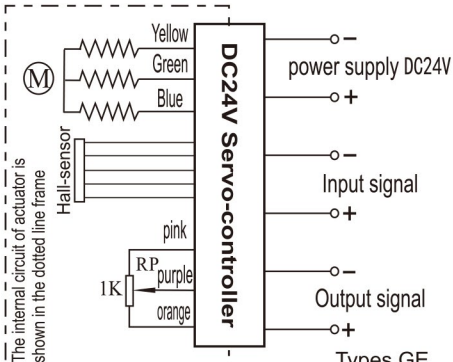
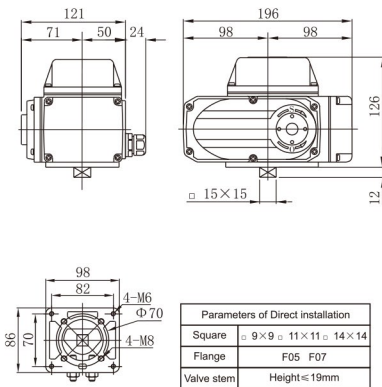


# Overall Dimension and Performance Parameters of 24VDC Modulating (Adopt Brushless motor)

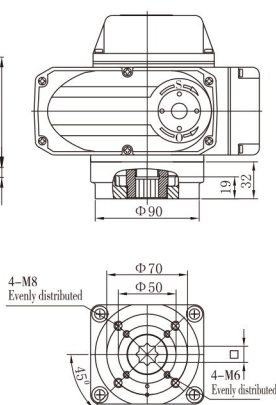
 <p>Standard type</p>  <p>Direct installation type</p>  <p>The internal circuit of actuator is shown in the dotted line frame</p>		DCL-10GE		DCL-40GE	
		DC24V ± 10%		DC24V ± 10%	
Motor Power	30W		70W		
Max current	3.3A	1.8A	8.9A	6.6A	
Action Time	15S	30S	15S	30S	
Output Torque	0~100Nm Optional		100~400Nm Optional	100~600Nm Optional	
Total Weight	4.5kg		9.5kg		
Input Signal	4~20mADC				
Output Signal	4~20mADC				
Basic Error	≤ ± 1%				
Reciprocating Error	≤ 1%				
Dead Space	0.5% ~ 5.0% adjustable				
Damping Characteristic	0 times				
Repeating Error in Actuator	≤ 1%				
Turning Angle	0 ~ 90° Adjustable				
Insulation Resistance	100MΩ/250VDC				
Withstand Voltage Class	500VAC 1 minute				
Protection Class	IP67				
Installation Angle	360° at any angle				
Electric Interface	Two G1/2 Water-proof Cable Connectors, one for Power line and one for Signal line				
Ambient Temperature	-30°C~+60°C				
Optional Function	◆ Dehumidify Heater ◆ Passive contact switch ◆ Dome indicator				
instructions	If other kinds of input/output signals are needed, please specify when ordering				

## Overall dimensions of DCL-10GE

### Standard type

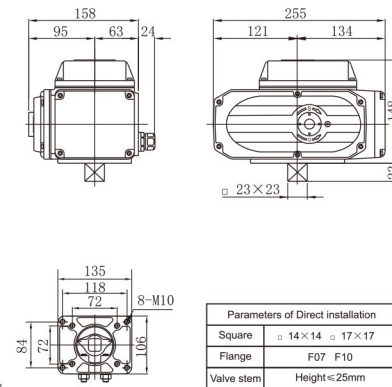


### Direct installation type



## Overall dimensions of DCL-40GE

### Standard type



### Direct installation type

